

Version:  
March 1, 2017

# DIRECT

## Electronics Tech.

# Saw Package Dimensions

Web: [www.direct-token.com](http://www.direct-token.com)

Email: [rfq@direct-token.com](mailto:rfq@direct-token.com)

**Direct Electronics Industry Co., Ltd.**

**China:** 12F, Zhong Xing Industry Bld., Chuang Ye Road,  
Nan Shan District, Shen Zhen City,  
Guang Dong, China 518054  
Tel: +86 755 26055363; Fax: +86 755 26055365

**Taiwan:** No.137, Sec. 1, Zhongxing Rd., Wugu District,  
New Taipei City, Taiwan, R.O.C. 24872  
Tel: +886 2981 0109 Fax: +886 2988 7487

► **Encapsulation Type**

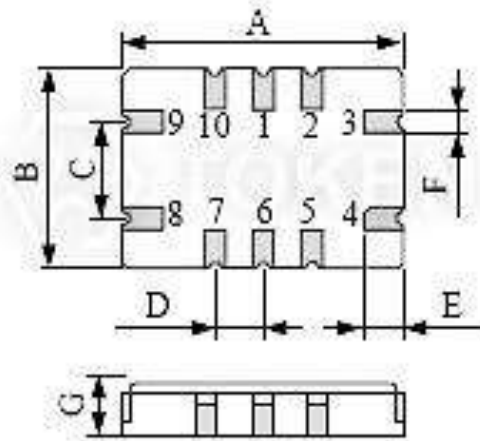
**Saw Resonators & Filters Encapsulation Type**

SMD Type		DIP Type	
Package Type	Code	Package Type	Code
SMP-03	S1	TO-39	D1
SMP-53	S2	F-11	D2
SMP-53-S	S3	D-11	D3
QCC8C	S4	SIP5T	D4
QCC4A	S5	TO39-2	D5
QCC8B	S6		
DCC6	S7		
QCC8D	S8		
DCC6C	S9		
ARC11A	S10		
F11SMD	S11		

► **SMP-03**

**Package Dimensions (Unit: mm) (SMP-03)**

Type	A	B	C	D	E	F	G
SMP-03	7.0	5.0	2.54	1.27	1.0	0.6	1.5



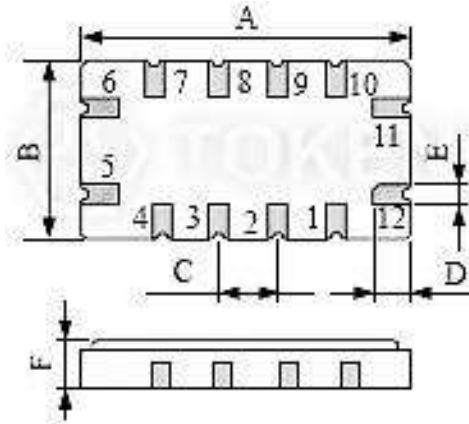
SAW (SMP-03) Dimensions



▶ **SMP-53**

**Package Dimensions (Unit: mm) (SMP-53)**

Type	A	B	C	D	E	F
SMP-53	13.3	6.5	2.54	1.5	0.8	1.5

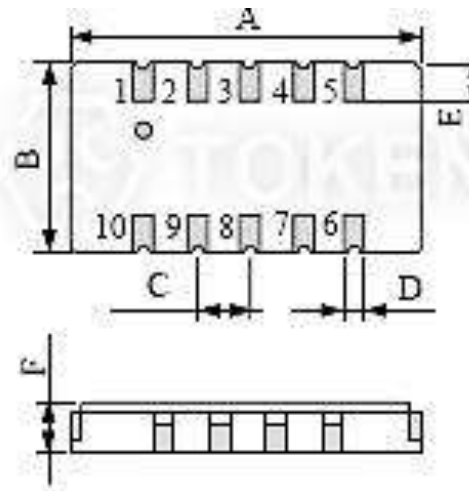


SAW (SMP-53) Dimensions

▶ **SMP-53-S**

**Package Dimensions (Unit: mm) (SMP-53-S)**

Type	A	B	C	D	E	F
SMP-53-S	13.3	6.5	1.91	1.02	1.8	1.55



SAW (SMP-53-S) Dimensions

▶ **QCC8C**

**Package Dimensions (Unit: mm) (QCC8C)**

Type	A	B	C	D	E	F	G
QCC8C	2.08	0.6	2.54	1.2	1.4	5.0	5.0

SAW (QCC8C) Dimensions

▶ **QCC4A**

**Package Dimensions (Unit: mm) (QCC4A)**

Type	A	B	C	D	E	F
QCC4A	1.2	0.8×3	0.5×4	1.4	5.0	3.5

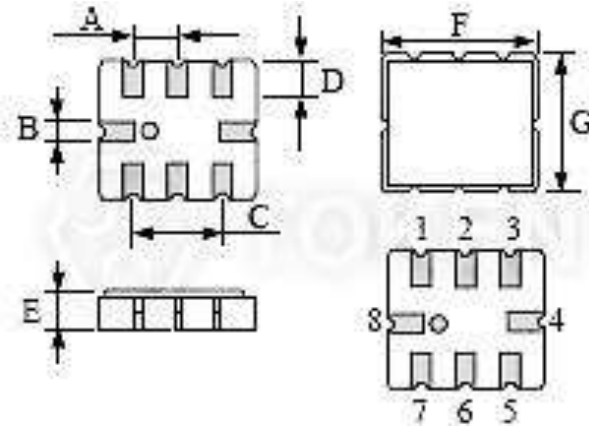
SAW (QCC4A) Dimensions



▶ **QCC8B**

**Package Dimensions (Unit: mm) (QCC8B)**

Type	A	B	C	D	E	F	G
QCC8B	1.27	0.6	2.54	1.0	1.5	3.8	3.8

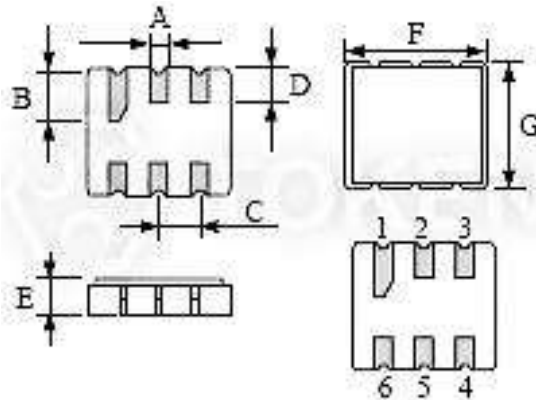


SAW (QCC8B) Dimensions

▶ **DCC6**

**Package Dimensions (Unit: mm) (DCC6)**

Type	A	B	C	D	E	F	G
DCC6	0.64	1.9	1.27	1.0	1.4	3.8	3.8

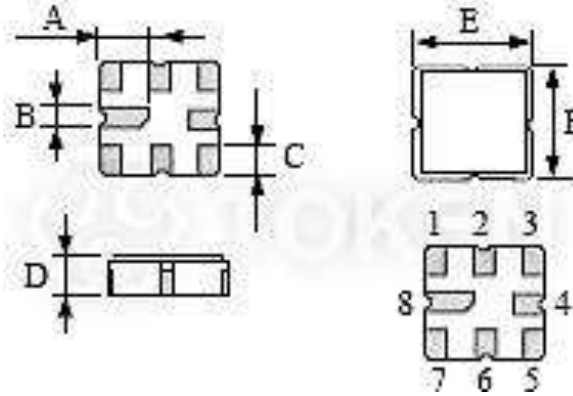


SAW (DCC6) Dimensions

**QCC8D**

**Package Dimensions (Unit: mm) (QCC8D)**

Type	A	B	C	D	E	F
QCC8D	1.2	0.6	0.75	1.1	3.0	3.0

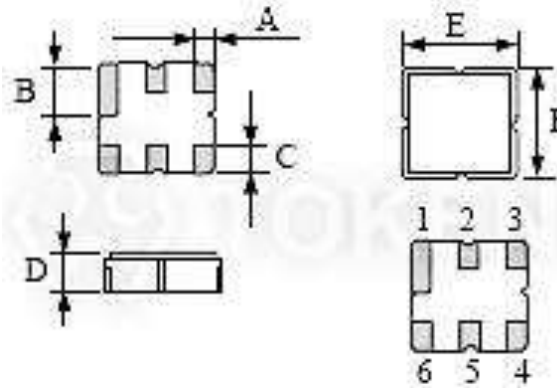


SAW (QCC8D) Dimensions

**DCC6C**

**Package Dimensions (Unit: mm) (DCC6C)**

Type	A	B	C	D	E	F
DCC6C	0.6	1.5	0.75	1.3	3.0	3.0



SAW (DCC6C) Dimensions

**ARC11A**

**Package Dimensions (Unit: mm) (ARC11A)**

Type	A	B	C	D	E	F	G	H
ARC11A	11.0	1.5	1.1	0.7	2.54	1.27	4.0	1.5

The diagram illustrates the SAW (ARC11A) dimensions. The top view shows a rectangular package with a total width of A (11.0 mm) and a total height of G (4.0 mm). There are two rows of pads: the top row has pads 1, 2, 4, 6, and 7; the bottom row has pads 14, 13, 11, 9, and 8. The distance between the top and bottom rows is B (1.5 mm). The distance between the centerlines of pads 1 and 2 is C (1.1 mm). The distance between the centerlines of pads 1 and 14 is D (0.7 mm). The distance between the centerlines of pads 4 and 11 is E (2.54 mm). The distance between the centerlines of pads 6 and 9 is F (1.27 mm). The side view shows the package height H (1.5 mm).

**SAW (ARC11A) Dimensions**

**F11SMD**

**Package Dimensions (Unit: mm) (F11SMD)**

Type	A	B	C	D	E	F	G
F11SMD	11.0	4.5	2.45	0.6	3.4	3×2.54	4.1

The diagram illustrates the SAW (F11SMD) dimensions. The top view shows a rectangular package with a total width of A (11.0 mm) and a total height of B (4.5 mm). There are four pads in the top row, numbered 1, 2, 3, and 4. The distance between the centerlines of pads 1 and 2 is C (2.45 mm). The distance between the centerlines of pads 2 and 3 is D (0.6 mm). The side view shows the package height E (3.4 mm) and the distance between the mounting pads F (3×2.54 mm). The total height of the package is G (4.1 mm).

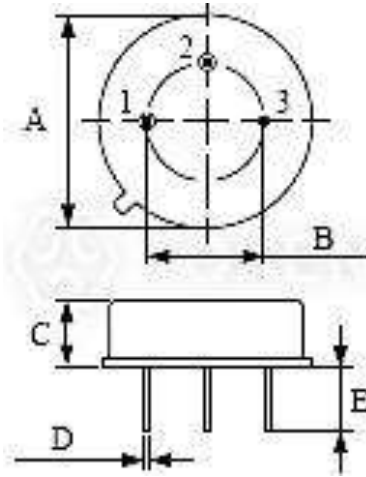
**SAW (F11SMD) Dimensions**



▶ **TO-39**

**Package Dimensions (Unit: mm) (TO-39)**

Type	A	B	C	D	E
TO-39	Φ9.15	Φ5.08	3.3	Φ0.45	3.0

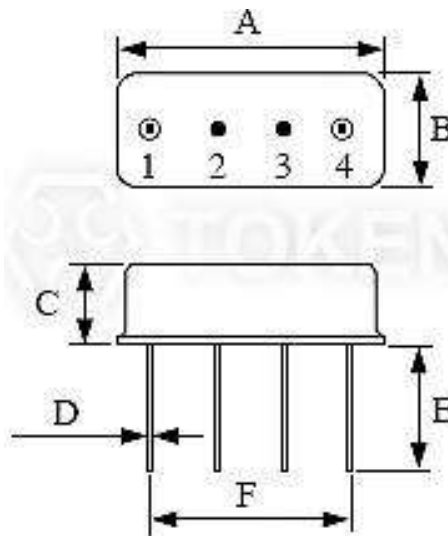


SAW (TO-39) Dimensions

▶ **F-11**

**Package Dimensions (Unit: mm) (F-11)**

Type	A	B	C	D	E	F
F-11	11.0	4.5	3.4	Φ0.5	5.0	3×2.54



SAW (F-11) Dimensions



▶ **D-11**

**Package Dimensions (Unit: mm) (D-11)**

Type	A	B	C	D	E	F
<b>D-11</b>	8.36	3.45	3.0	Φ0.45	3.0	2×2.54

The diagram shows two views of the SAW (D-11) package. The top view shows a rectangular package with three circular pads labeled 1, 2, and 3. Dimension A is the total width, B is the height, and C is the diameter of the pads. The side view shows the package height C, the diameter of the pads D, the distance between pads E, and the distance from the edge to the first pad F.

**SAW (D-11) Dimensions**

▶ **SIP5T**

**Package Dimensions (Unit: mm) (SIP5T)**

Type	A	B	C	D	E	F	G
<b>SIP5T</b>	13.8	0.55	4×2.54	2.6	4.8	3.5	0.25

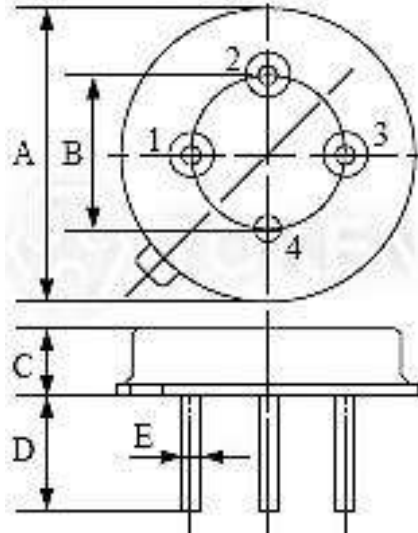
The diagram shows two views of the SAW (SIP5T) package. The top view shows a rectangular package with five circular pads labeled 1 through 5. Dimension A is the total width, B is the distance between pads, and C is the total distance between the first and last pads. The side view shows the package height D, the diameter of the pads E, the distance between pads F, and the distance from the edge to the first pad G.

**SAW (SIP5T) Dimensions**

▶ **TO39-2**

**Package Dimensions (Unit: mm) (TO39-2)**

Type	A	B	C	D	E
TO39-2	9.35±0.10	5.08±0.10	3.40±0.10	3.00±0.20	4-Φ0.45±0.20



SAW (TO39-2) Dimensions