

Version:
March 1, 2017

DIRECT

Electronics Tech.

(DQS) Rib-Wound Adjustable Resistors

Web: www.direct-token.com

Email: rfq@direct-token.com

Direct Electronics Industry Co., Ltd.

China: 12F, Zhong Xing Industry Bld., Chuang Ye Road,
Nan Shan District, Shen Zhen City,
Guang Dong, China 518054
Tel: +86 755 26055363; Fax: +86 755 26055365

Taiwan: No.137, Sec. 1, Zhongxing Rd., Wugu District,
New Taipei City, Taiwan, R.O.C. 24872
Tel: +886 2981 0109 Fax: +886 2988 7487

Product Introduction

Low-cost and high-precision power rib-wound adjustable wire wound resistors for high energy dissipation.

Adjustable Ribbon-Wound (DQS) have been a main product line at Direct Electronics for years. Adjustable ribwound resistors are particularly useful where high energy is to be dissipated in the lower Ohmic ranges and high power capacity. Precision winding design, provide uniform windings to be applied extremely close to each other resulting in significantly higher resistance values.

In significant savings in space and cost, Adjustable (DQS) Series is ideal replacements for many standard round-wire resistors.

The Power Adjustable (DQS) Resistor is RoHS compliant and lead free. For unusual technical requirements and custom special applications, please contact us. Or link to Direct official website "[High Power Resistors](#)" to get more information.

Features:

- Resistance Tolerance: K($\pm 10\%$), J($\pm 5\%$), H($\pm 3\%$).
- Power-rib wirewound resistor with adjustable lug supplied.
- Suitable for high energy to be dissipated in the lower ohmic ranges.
- Design as heavy-duty resistors to withstand frequent start-stop cycles.
- Hollow core to permit secure fastening with spring-type clips or thru bolts with washers.
- Durability Flame resistant coating and all-welded construction.
- Terminals suitable for bolt connection or soldering.

Power Rating:

- Based on 25°C free air rating. The stated wattage rating applies only when the entire resistance is in the circuit.
- Setting the lug at an intermediate point reduces the wattage rating by approximately the same proportion.
- Example: If the lug is set at half resistance, the wattage is reduced by approximately one-half.
- Wattage is proportional to this adjusted resistance value.
- Adjustability is 10% to 90% of full resistance value.

Options:

- Adjustable, fixed, or tapped styles are available.
- Special terminals available for non-standard applications.
- Single and double quick connect terminals can be specified.
- Standard lug terminals available with or without terminal hardware.
- Non-inductive Ayrton Perry windings can be specified.
- Special temperature coefficients, tolerances

To Calculate Max. Amperes:

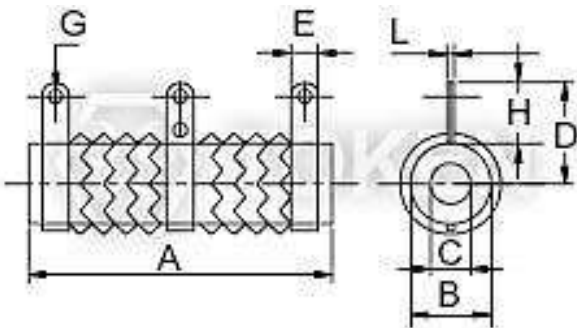
- Voltage = (Watts \times Ohms)^{1/2}



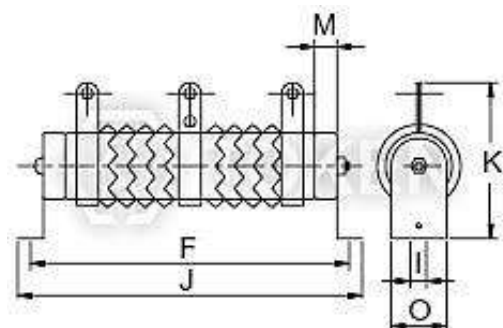
Dimensions

Dimensions (DQS 75W ~ 2000W)

Wattage Rating	Dimensions (Unit: mm)														Max. Pickable Resistance Value (Ω)
	A	B	C	D	E	F	G	H	I	J	K	L	M	O	
75W	110	25	16	30	8	150	5	18	6	166	58	1.2	6	27	1.5~8Ω
90W	90	28	18	32	8	130	5	19	6	146	60	1.2	6	27	1.5~9Ω
120W	110	28	18	32	8	150	5	19	6	166	60	1.2	6	27	2~12Ω
150W	140	28	18	32	8	180	5	19	6	196	60	1.2	6	27	2~15Ω
180W	160	28	18	32	8	200	5	19	6	216	60	1.2	6	27	3~18Ω
225W	195	28	18	32	8	235	5	19	6	251	60	1.2	6	27	3~23Ω
240W	185	35	24	36	10	225	5	19	8	245	76	1.6	6	34	5~24Ω
300W	210	35	24	36	10	250	5	19	8	274	76	1.6	6	34	5~30Ω
375W	210	40	25	38	12	250	5	20	8	274	78	1.6	6	34	6~38Ω
450W	260	40	25	38	12	300	5	20	8	320	78	1.6	6	34	6~45Ω
600W	330	40	25	38	12	370	5	20	8	395	78	1.6	6	34	7~60Ω
750W	330	50	35	50	12	380	6	25	9	400	100	1.6	8	40	8~75Ω
900W	400	50	35	50	12	450	6	25	9	470	100	1.6	8	40	8~90Ω
1000W	460	50	35	50	12	510	6	25	9	530	100	1.6	8	40	12~100Ω
1200W	460	60	40	55	15	515	6	30	10	535	110	1.6	10	50	12~120Ω
1500W	540	60	40	55	15	595	6	30	10	615	110	1.6	10	50	15~150Ω
2000W	650	65	42	62	15	702	6	30	10	722	115	1.6	10	50	15~200Ω



(DQS) N - No Mount



(DQS) G - Horizontal Mount



► **Characteristics**

Characteristics (DQS)

Test Item	Test Methods	Characteristics
Resistance tolerance	JIS-C-5202 5-1	Resistance Nominal Tolerance $1 \leq R$ $1 > R$ $\pm 5\% (J) \pm 10\% (K)$
Temperature coefficient	JIS-C-5202 5-2	$\pm 400 \text{PPM}/^\circ\text{C}$ MAX
Load rating	JIS-C-5202 5-4	$\Delta R/R \leq \pm(0.5\%+0.1\Omega)$ Surface temperature up to 350°C MAX
Short-term overload	JIS-C-5202 5-5 500% rated wattage 5 seconds	Free of appearance or structural irregularity $\Delta R/R \leq \pm(2\%+0.1\Omega)$
Insulation resistance	JIS-C-5202 5-6 500VDC	100M Ω min
Dielectric withstanding voltage	JIS-C-5202 5-7 1000VDC 1 minute Between terminal and anchor stand	Free of appearance or structural irregularity $\Delta R/R \leq \pm(0.1\%+0.05\Omega)$
Terminal strength	JIS-C-5202 6-1 8kg 30 seconds	Free of appearance or structural irregularity
Vibration	JIS-C-5202 6-3 1.5m/m 10 ~ 50 ~ 10 Hz/min X-Y-Z 2 hours each	Free of appearance or structural irregularity Surface coating crack $\Delta R/R \leq \pm(1\%+0.05\Omega)$
Thermal shock	JIS-C-5202 7-3 Room temp 30 minutes ON- 55°C 15 minutes OFF	Free of structural irregularity $\Delta R/R \leq \pm(1\%+0.05\Omega)$
Humidity	JIS-C-5202 7-5 40°C 90%RH 240 hours	Free of appearance or structural irregularity Surface coating crack $\Delta R/R \leq \pm(3\%+0.1\Omega)$
Load life	JIS-C-5202 7-10 90 minutes ON - 30 minutes OFF 500 hours	Free of appearance or structural irregularity Surface coating crack $\Delta R/R \leq \pm(5\%+0.1\Omega)$
Flame retardation	JIS-C-5202 7-13-3-2 100% - 600% rated wattage load	US UL-94 flame retardation test V-0 grade noncombustible
REMARKS:	1. Resistance and resistance tolerance were tested in-house with micro resistance meter. 2. Coating refers to UL-certified data provided by supplier	



▶ Application Notes

Adjustable Wire wound Application Notes (DQS)

Determination of End Resistance Value of FVR, DQS, DSRA, DSRB, BSR, BSQ:

- Resistance Range means you can choose one maximum resistance value (Max. Pickable Resistance Value / End resistance value) at one of FVR, DQS, DSRA, DSRB, BSR, BSQ VR (Variable Resistor) type.
- After End Resistance Value confirmed, the minimum resistance (start resistance value) will be determined by depending on resistance of wire and wirewound type.

Power Rating of Variable Resistor:

The part Number formation of FVR, DQS, DSRA, DSRB, BSR and BSQ:

Product type - Rated Wattage - Max. Pickable Resistance Value (Ω) - Resistance Tolerance

Product type means one of FVR, DQS, DSRA, DSRB, BSR, BSQ.

Rated Wattage means power rating at End Resistance Value.

Resistance Value (Ω) means maximum resistance value (End Resistance Value).

Resistance Tolerance means precision range of End Resistance Value.

1. Power Rating of VR (Variable Resistor) is determined by the maximum resistance value (End Resistance Value).
2. Resistance and Power Rating should be decreased while you are adjusting the screw.

If you need current constant type or special specifications, please feel free to contact us.

▶ Order Codes

Order Codes (DQS)

DQS	1500W	10R		K		G	
Part Number	Rated Power (W)	Resistance Value		Resistance Tolerance (%)		Assembly Method	
DQS	75W~2000W	0R1	0.1 Ω	H	$\pm 3\%$	N	No mount.
		1R	1 Ω	J	$\pm 5\%$	C	Clip mount.
		10R	10 Ω	K	$\pm 10\%$	G	Horizontal mount.
		100R	100 Ω			Z	Vertical mount.



► General Information

Benefits & Features

Providing design engineers with an economical resistor with high quality performance, Direct Electronics offers industry grade power wire wound devices.

Direct provide terminal blocks, thermal switches, fusing, fans, junction boxes, screened or solid bottom plates, conduit knockouts, and customer specified requirements. For large applications a welded frame construction is utilized to provide a robust design for power resistor mounting in both indoor and outdoor environments.

Products range from large capacity metal clad, nonflammable fixed and adjustable, wave ribbon wire-wound, slide, starter, box type, to nonflammable flat type. Direct extends a complete line for both military and commercial applications.

Utilization Notes

1. Smoke emitted from non-flammable resistors on initial use in powered circuits is a normal phenomenon and the component can be safely utilized.
2. All resistors manufactured by Direct Electronics Industry Corporation comply with the U.S. UL-94 non-flammability test, Class V-0, a continuous combustion period of zero seconds.
3. Never use organic solvents to clean non-flammable resistors.
4. Non-flammable resistors cannot be utilized in oil.
5. Non-flammable resistors cannot be used in high frequency machinery because of the inductance produced by the windings. A suitable type of resistor must be selected. Contact us for details.
6. In applications where resistors are subject to intermittent current surges and spikes, be sure in advance that the components selected are capable of withstanding brief durations of increased load.
7. Do not exceed the recommended usable load. Resistors must use within the rated voltage range to prevent the shortening of service life and/or failure of the wound resistance elements.
8. Minimum load. Resistors must be utilized at 1/10 or more of the rated voltage to prevent poor conductance due to oxidation build-up.
9. Although the hardness exceeds that of a 3H pencil lead, do not nick the resistor coating with screw drivers or other pointed objects.
10. Avoid touching non-flammable resistors in operation; the surface temperature ranges from approximately 350°C ~ 400°C when utilized at the full rated value. Maintaining a surface temperature of 200°C or less will extend resistor service life.
11. Keep temperature from rising by choosing a resistor with a higher rated capacity; do not use a component having the exact load value required. For considerations of safety in extended period applications, the resistor rating should be more than four times higher than the actual wattage involved, but never use a resistor at less than 25% of its rated power.
12. Application and Placement: Wire-wound resistors use different gauges of wire as resistance elements. Sometimes the gauge is extremely thin (finer than a strand of human hair) and very susceptible to breakage in environments containing salts, ash, dust and corrosives. Avoid utilization in such environments. Do not install in dusty areas because the accumulation will cause shorts and poor conductance.

