

Version:
February 28, 2017

DIRECT

Electronics Tech.

(JT10.7M) Ceramic Discriminator

Web: www.direct-token.com

Email: rfq@direct-token.com

Direct Electronics Industry Co., Ltd.

China: 12F, Zhong Xing Industry Bld., Chuang Ye Road,
Nan Shan District, Shen Zhen City,
Guang Dong, China 518054
Tel: +86 755 26055363; Fax: +86 755 26055365

Taiwan: No.137, Sec. 1, Zhongxing Rd., Wugu District,
New Taipei City, Taiwan, R.O.C. 24872
Tel: +886 2981 0109 Fax: +886 2988 7487

▶ Product Introduction

Introduction (JT10.7M)

Features :

- Dimensions: (9.0 max × 7.0 max × 5.0 max) Unit: mm.
- Center Frequency: 10.64MHz±30kHz, 10.64MHz±30kHz, 10.70MHz±30kHz, 10.73MHz±30kHz, and 10.76MHz±30kHz.
- Available IC: TA7303P, TA7130, μ PC1028H, LA1150, TA8122AN, TA8132N, TA2007, TA2104AFN, TA2099N, TA2132P, CX-2009, CX-20111, CXA1019M, CX-20091.

Direct Ceramic discriminator for FM (JT10.7M) is compatible to Murata CDA 10.7. Direct ceramic discriminator is primarily designed for piezoelectric lines and conforms to the RoHS directive and Lead-free.

Ceramic discriminator can be customized designs and tighter tolerances available on request. Application of ceramic discriminator specific designs also available including different piezo band-pass devices and Q specifications adjusted to frequency requirements.

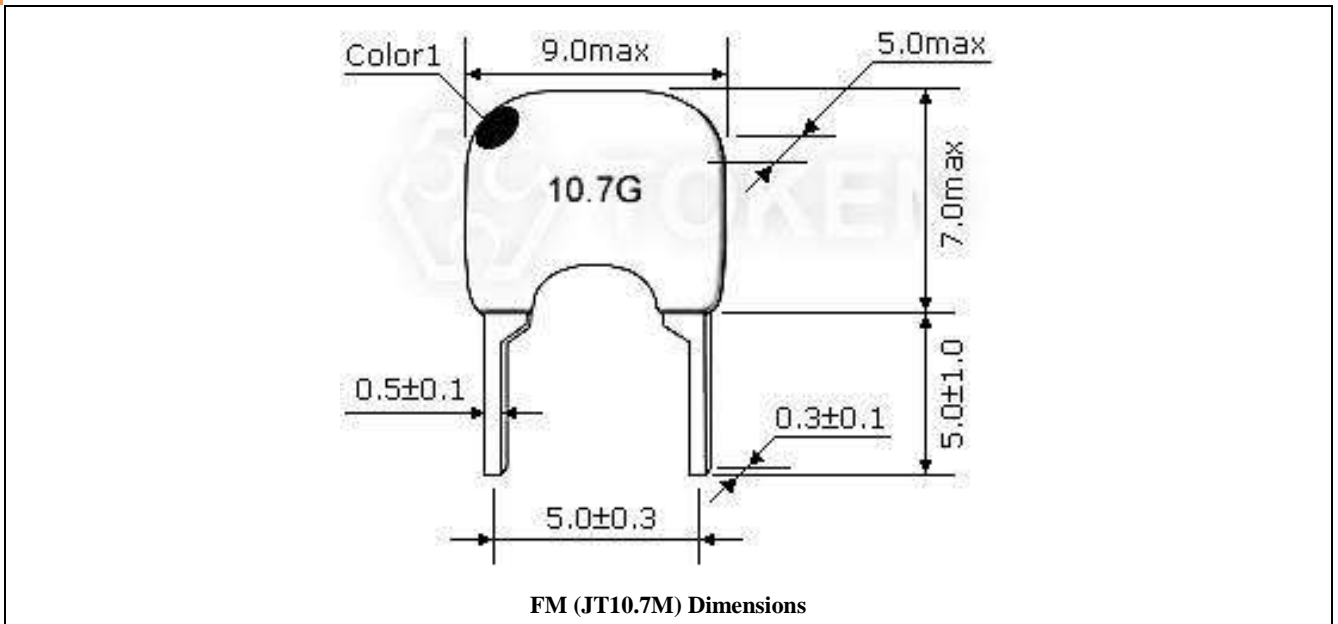


DIRECT ceramic filters, discriminator, and trap filters can supply you high performance, high quality and stability. Ceramic discriminator provides reliable start up and stable oscillation in microprocessor circuits across a wide variety of applications.

JT10.7M for FM is resonated devices that offer adjustment free audio detection in both wide and narrow bandwidths. These IC dependent devices utilize FM specific detection methods to convert changes in frequency into an intelligible audio signal.

Contact us with your specific needs. For more information, please link to Direct official website "[Ceramic Discriminator](#)".



► Dimensions**Dimensions (Unit: mm) (JT10.7M)**

▶ Technical Characteristics**Technical Characteristics (JT10.7M)**

Part Number	Demodulation Output at fo (mv) min	Distortion Factor at fo (%) max	Demodulation 3dB Band Width (KHz) max	Applicable IC
JT10.7MG1	25	1.0	345	CX-2009, CX-20111
JT10.7MG3	650	1.0	±150	TA7303P, TA7130, μPC1028H, LA1150
JT10.7MG16	60~90	0.9	300	TA8122AN
JT10.7MG18	60~90	0.9	300	TA8132N
JT10.7MG33	45	0.7	250	TA2007
JT10.7MG80	65	1.0	300	TA2104AFN
JT10.7MG82	90	0.8	320	TA2099N
JT10.7MG92	60	1.0	300	TA2132P
JT10.7MC1	35	1.0	242	CXA1019M, CX-20091

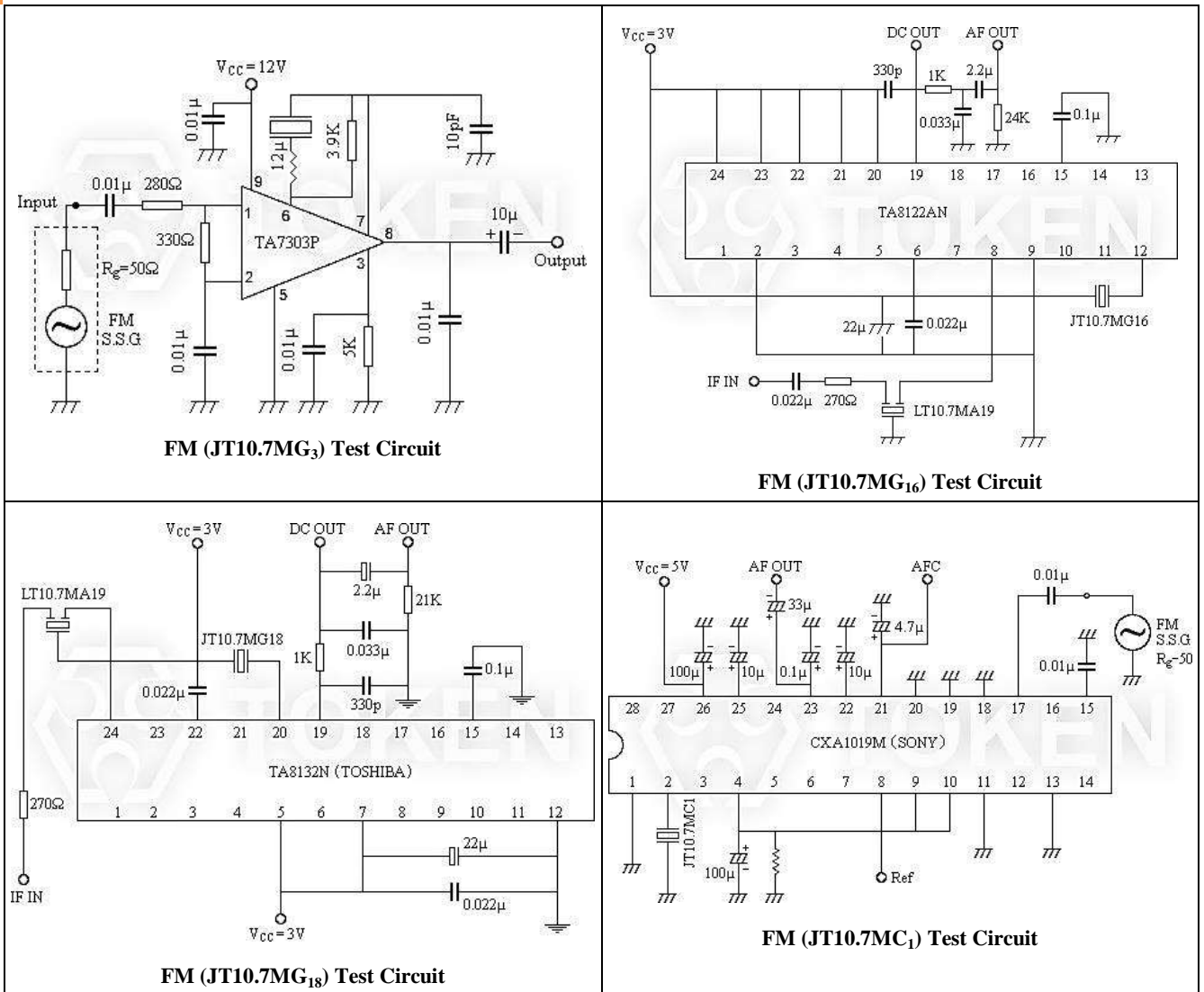
▶ Standard Rule**Standard Rule (JT10.7M)**

Center Frequency	Color
D:10.64MHz±30kHz	Black
B:10.67MHz±30kHz	Blue
A:10.70MHz±30kHz	Red
C:10.73MHz±30kHz	Orange
E:10.76MHz±30kHz	White



▶ **Test Circuit**

Test Circuit (JT10.7M)



▶ Order Codes**Order Codes (JT10.7M)**

JT10.7MG3	-	A	P
Part Number		Center Frequency color code	Package
		A	10.70MHz±30kHz
		B	10.67MHz±30kHz
		C	10.73MHz±30kHz
		D	10.64MHz±30kHz
		E	10.76MHz±30kHz

▶ General Information**Advantage of Direct Piezoelectric Ceramics**

Direct Electronics had been able to develop specialized piezo materials which when combined with an advance design have resulted in a complete line of practical, inexpensive piezo devices for entertainment and communications applications.

Direct reliably deliver high-quality components according to the each customer special needs with respect to performance, costs, and technology modifications.

For marketing discontinuations or sourcing activities concerning Piezoelectric **Discriminator** products, you are encouraged to contact our Sales Department so the request can be properly directed within Direct.

